

Assembly locations

Printer (without optional trays)

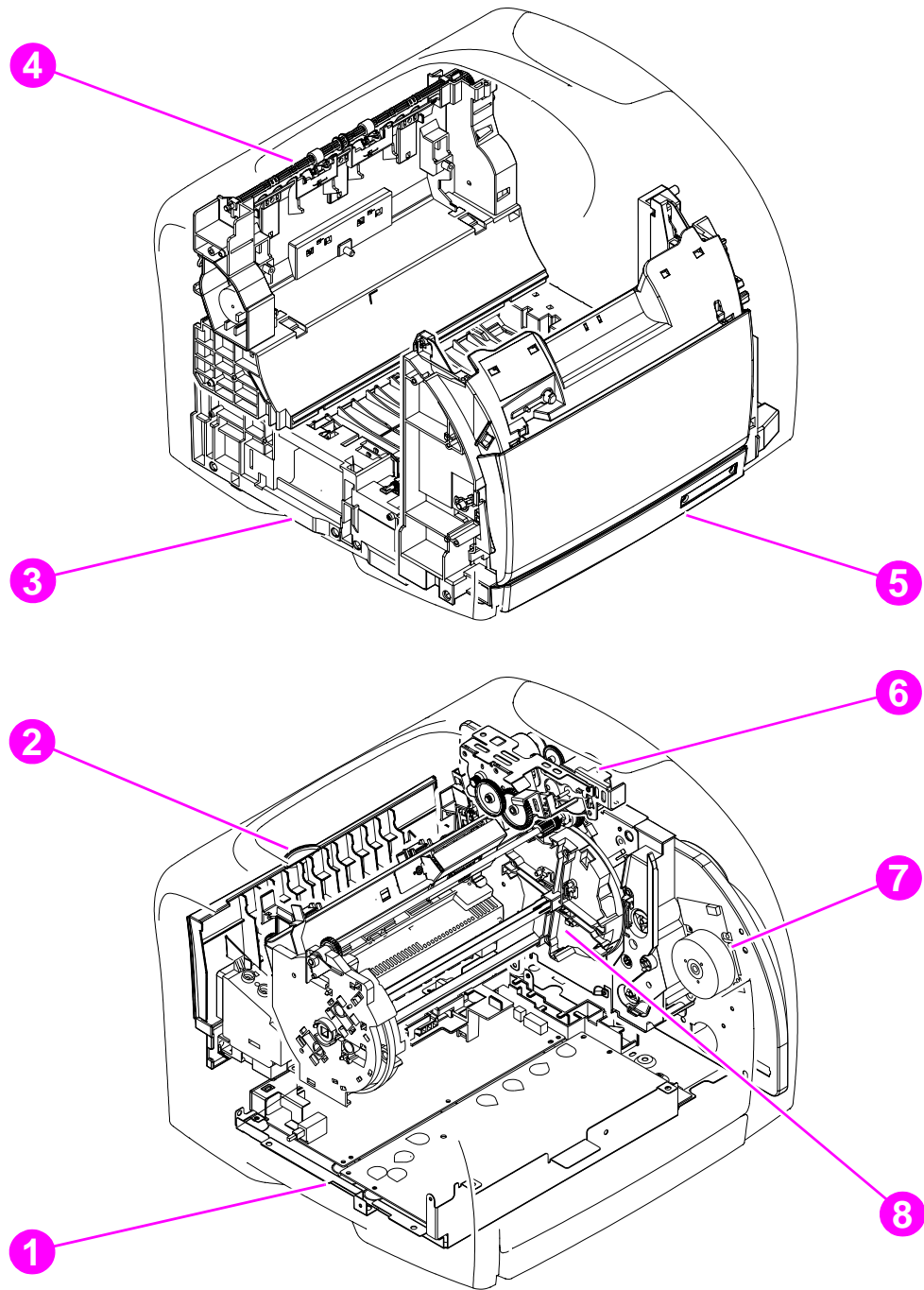


Figure 124.

Assembly locations

1	Power-base assembly	5	Front frame assembly
2	Fuser assembly	6	Rotary-drive assembly
3	Middle frame assembly	7	Main drive assembly
4	Rear frame assembly	8	Rotary (carousel) assembly

Covers

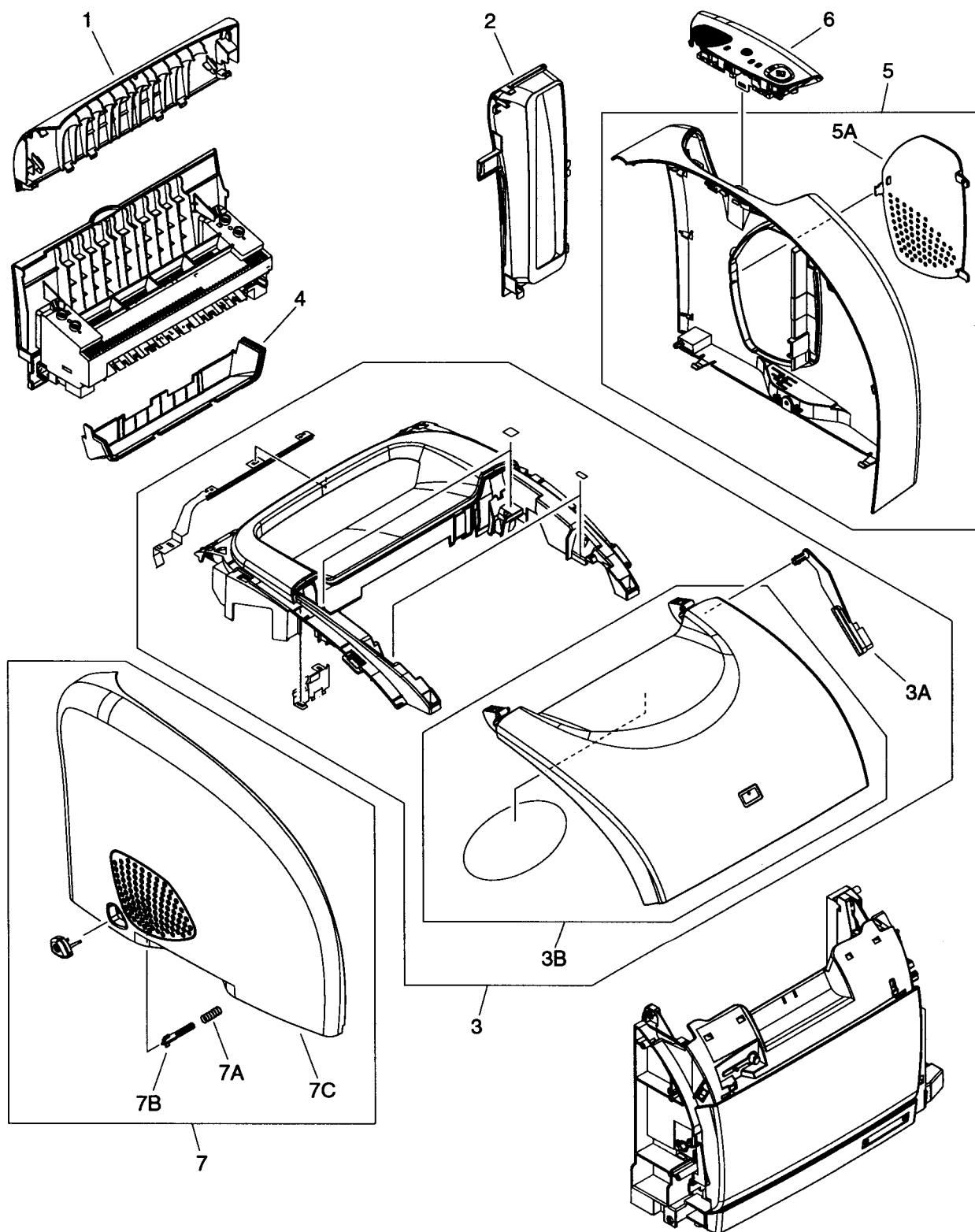


Figure 125. Covers

Table 30. Covers

Reference	Part number	Description	Quantity
1	RB3-0030-000CN	Rear cover	1
2	RB3-0035-000CN	Interface cover	1
3	RG5-6900-000CN	Top cover assembly	1
3A	RB3-0089-000CN	Rack, top cover	1
3B	RF5-4007-000CN	Top door	1
4	RB3-0032-000CN	Top output bin cover	1
5	RB5-6953-000CN	Right-side cover	1
5A	RB3-0033-000CN	DIMM door	1
6	RG5-6927-000CN	Control panel assembly	1
7	RG5-6902-000CN	Left-side cover	1
7A	RS6-2759-000CN	Spring, on/off switch	1
7B	RB3-0037-000CN	Rod, on/off switch	1
7C	RB3-0028-000CN	Left cover	1

Internal assemblies

Front frame assembly

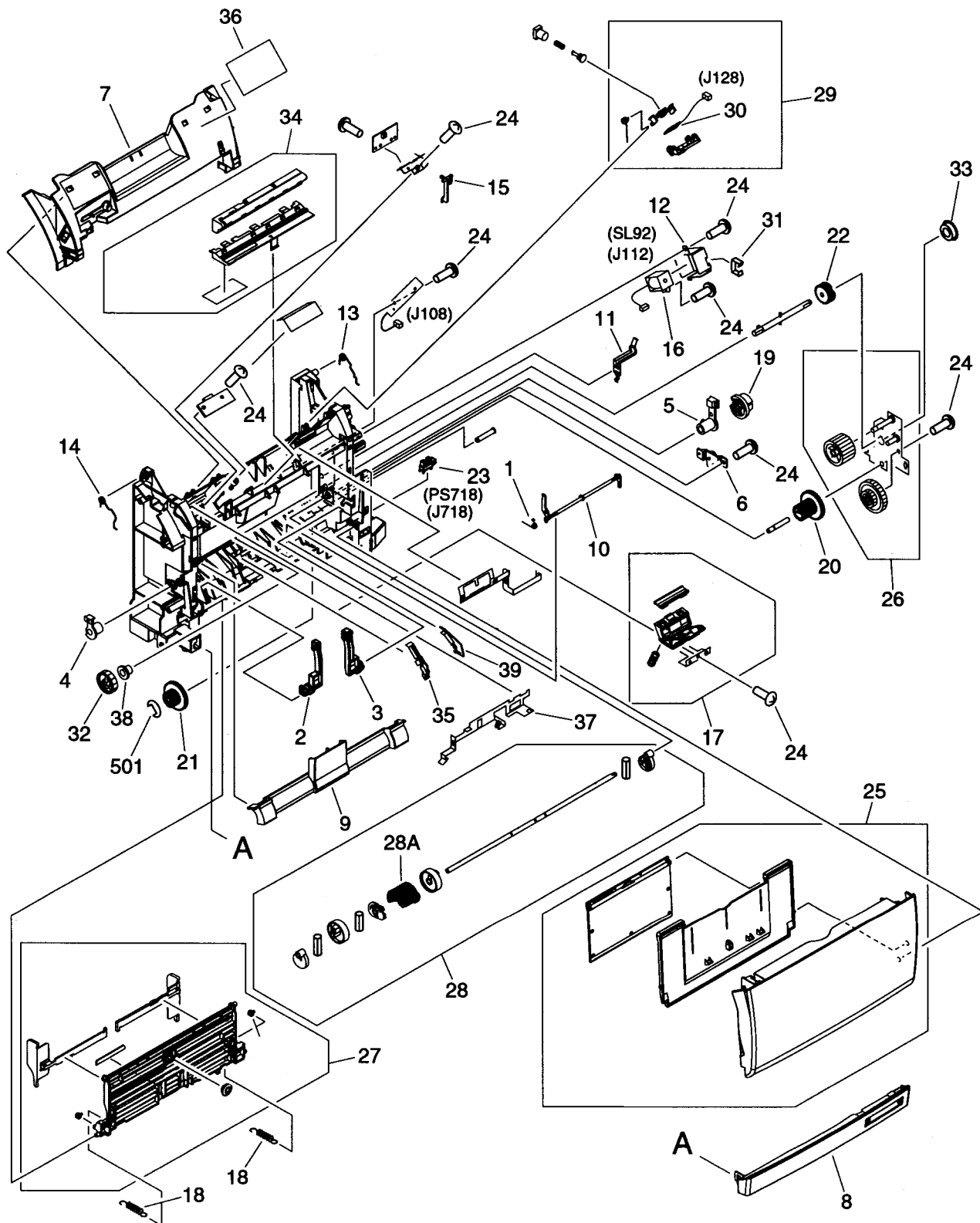


Figure 126. Front frame assembly

Table 31. Front frame assembly

Reference	Part number	Description	Quantity
1	RB2-9952-000CN	Spring, tray 1 flag	1
2	RB2-3041-000CN	Hinge, left, tray 1	1
3	RB2-3042-000CN	Hinge, right, tray 1	1
4	RB2-3043-000CN	Bushing, left	1
5	RB2-3044-000CN	Bushing, right	1
6	RB2-6248-000CN	Damper	1
7	RB3-0102-000CN	Front cover	1
8	RB3-0103-000CN	Front lower cover	1
9	RB3-0104-000CN	Roller cover	1
10	RB3-0111-000CN	Flag, tray 1 sensor	1
11	RB3-0119-000CN	Grounding plate	1
12	RB3-0120-000CN	Cover, solenoid (SL92)	1
13	RB3-0121-000CN	Spring, right	1
14	RB3-0122-000CN	Spring, left	1
15	RB3-0135-000CN	Flag, switch	1
16	RH7-5337-000CN	Solenoid (SL92)	1
17	RF5-4012-000CN	Separation pad assembly	1
18	RS6-2030-000CN	Spring, tray 1 guide	2
19	RS7-0418-000CN	Gear, 26T	1
20	RS7-0424-000CN	Gear, 20T/40T	1
21	RS7-0426-000CN	Gear, 26T/50T	1
22	RS7-0429-000CN	Gear, 26T	1
23	WG8-5382-000CN	Sensor (PS718)	1
24	XA9-1262-000CN	Screw, M4x10	11
25	RG5-6937-000CN	Tray 1 assembly	1
26	RG5-6938-000CN	Gear assembly	1
27	RG5-6951-000CN	Tray 1 guide assembly	1
28	RG5-6952-000CN	Tray 1 pickup assembly	1
29	RG5-6957-000CN	E-label reader assembly	1
30	RG5-6956-000CN	E-label reader PCA	1
31	WT2-5056-000CN	Clip, cable	1
32	RS7-0425-000CN	Gear, 30T	1
33	RS5-1635-000CN	Bushing, gear assembly	1
34	RF5-4047-000CN	Pad, light-blocking	1
35	RB2-0054-000CN	Guide, left, paper feed	1
36	RS6-8662-000CN	Label, image cartridge	1
37	RB2-9942-000CN	Grounding plate	1
38	RS5-1638-000CN	Bushing	1
39	RB2-9955-000CN	Guide, right, paper feed	1
501	XD2-1100-502CN	E-ring	2
28A	RB3-0160-000CN	Pickup roller, tray 1	1

Internal Components (1 of 2)

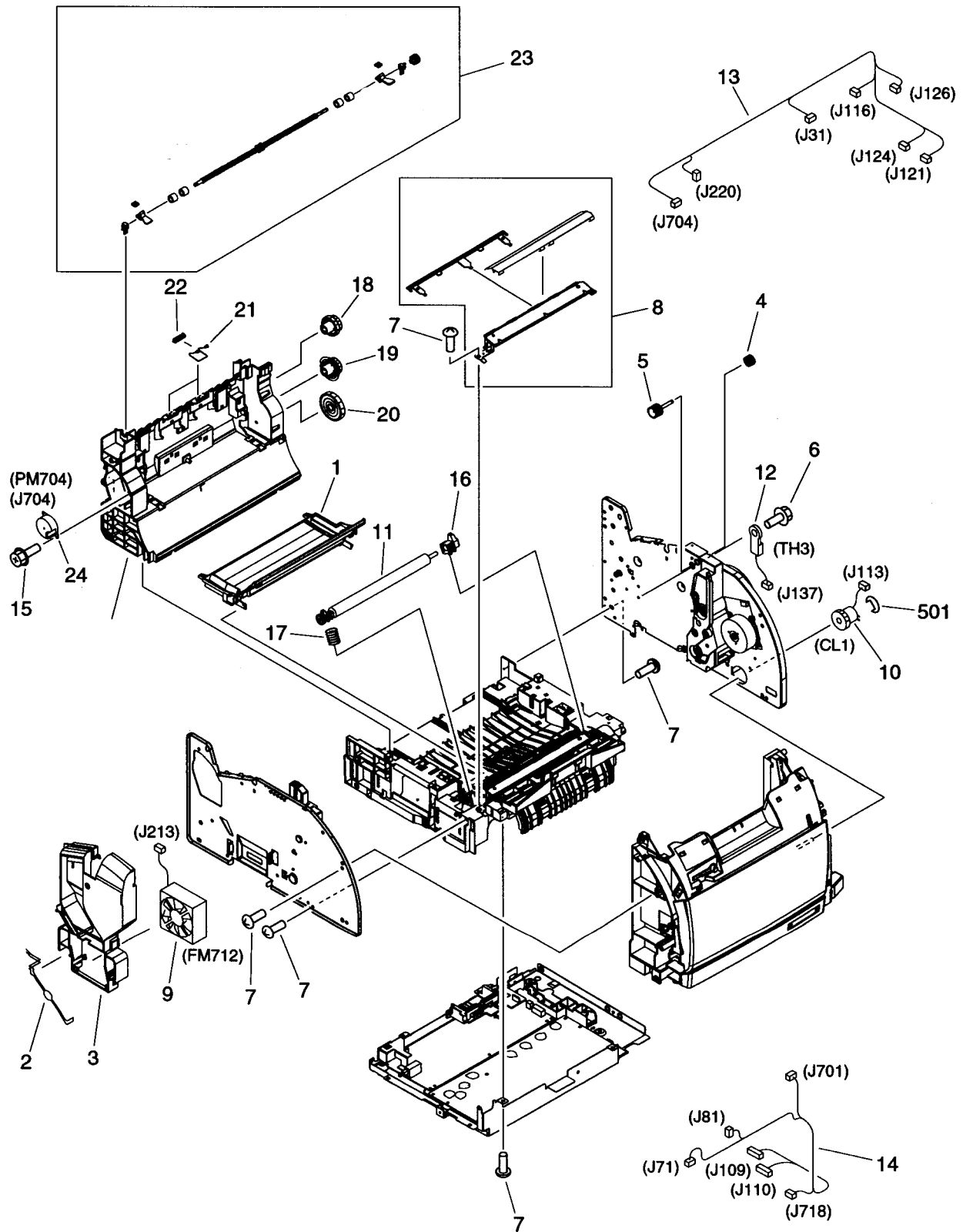


Figure 127. Internal components (1 of 2)

Table 32. Internal components (1 of 2)

Reference	Part number	Description	Quantity
1	RB3-0019-000CN	Toner catch tray	1
2	RB2-0032-000CN	RFI shield	1
3	RB3-0025-000CN	Air duct	1
4	RB3-0091-000CN	Gear, 18T	1
5	RB3-0092-000CN	Gear, 15T	1
6	XA9-1355-000CN	Screw, M3x8	2
7	XA9-1262-000CN	Screw, M4x10	26
8	RF5-4049-000CN	Entrance guide assembly	1
9	RH7-1537-000CN	Fan (FM712)	1
10	RH7-5333-000CN	Clutch (CL1)	1
11	RF5-4040-000CN	Transfer roller	1
12	RH7-7149-000CN	Thermistor (TH3)	1
13	RG5-7144-000CN	Cable, upper	1
14	RG5-7145-000CN	Cable, front	1
15	XA9-0849-000CN	Screw, RS, M3x6	2
16	RB3-0014-000CN	Bushing, transfer roller	1
17	RB3-0015-000CN	Spring, transfer roller	1
18	RS7-0435-000CN	Gear, 32T/37T	1
19	RS7-0436-000CN	Gear, 37T/43T	1
20	RS7-0437-000CN	Gear, 51T	1
21	RB2-9905-000CN	Spring, torsion	2
22	RB2-9908-000CN	Roller, top output bin	2
23	RG5-5697-000CN	Roller assembly, upper top bin	1
24	RH7-1533-000CN	Motor, dc, 24v	1
501	XD2-1100-322CN	E-ring	

Internal components (2 of 2)

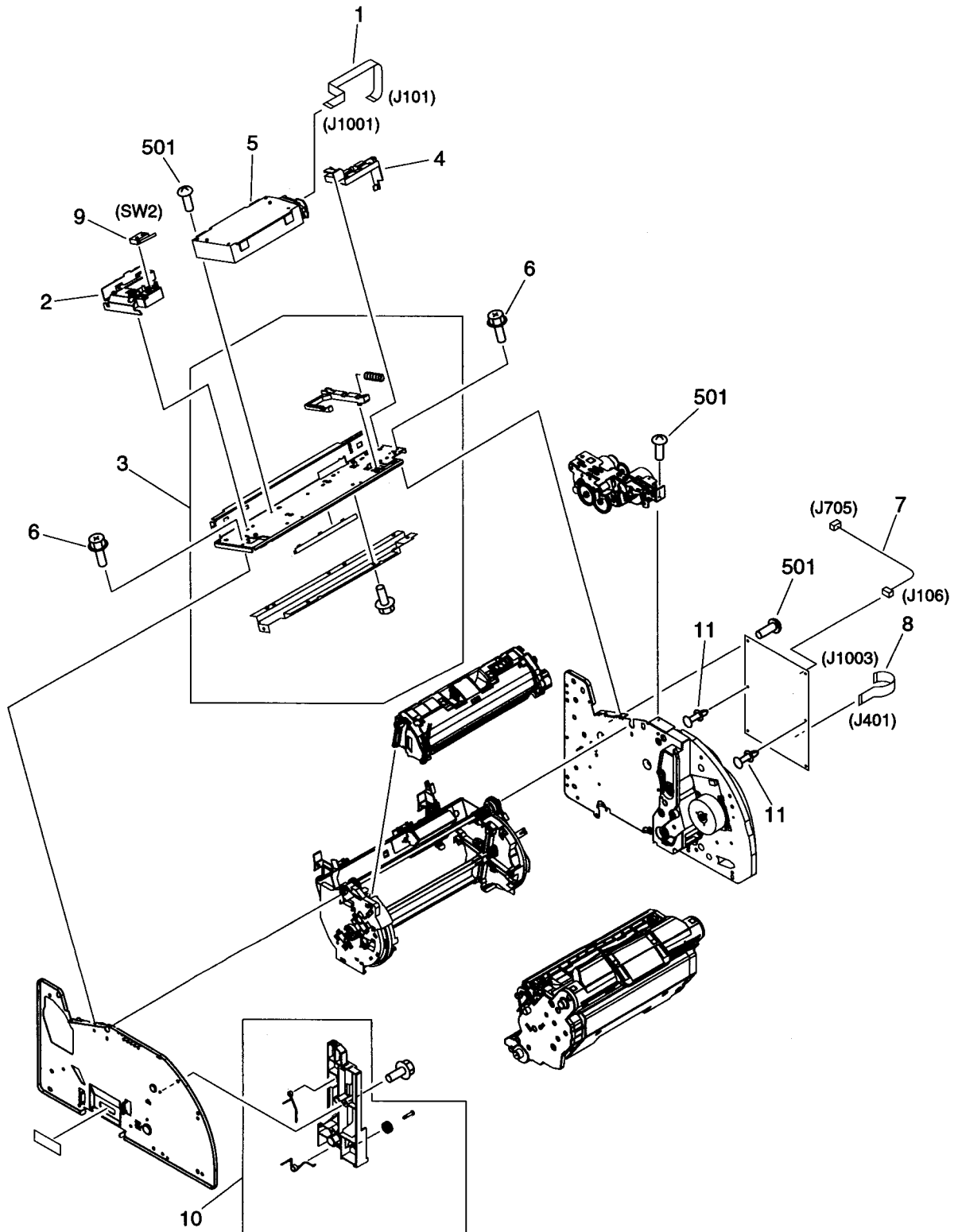


Figure 128. Internal components (2 of 2)

Table 33. Internal components (2 of 2)

Reference	Part number	Description	Quantity
1	RH2-5524-000CN	Cable, flat, flexible, laser/scanner	1
2	RB3-0023-000CN	Holder, interlock switch	1
3	RG5-6907-000CN	Top plate	1
4	RB2-9903-000CN	Cable guide	1
5	RG5-6680-000CN	Laser/scanner	1
6	XA9-0849-000CN	Screw, M3x6	19
7	RG5-7114-000CN	Cable, motor	1
8	RH2-5525-000CN	Cable, flat, flexible, formatter	1
9	RH7-6051-000CN	Switch, interlock	1
10	RG5-6935-000CN	Cartridge guide assembly	1
11	WT2-5778-000CN	Spacer	2
501	XB6-7300-407CN	Screw, M3x4	5
		Formatter	1

Table 34. Formatter assemblies (not pictured)

Reference	Part number	Description	Quantity
	C9145A	Formatter (DC BOMs)	1
	C9145-60001	Formatter	1
	C9705-6101	Formatter cage assembly	1
	0515-4257	Screw, M3x.5, black, thread rolling (formatter cage)	1
	C9705-00001	Formatter case (formatter cage)	1
	C9705-00002	Memory cover (formatter cage)	1
	C9705-00003	Back panel (formatter cage)	1
	5021-0349	EIO coverplate	1
	C9705-40006	EIO card guide	1
	C9145-67901	Kit, replacement	1
	C9145-69001	Exchange assembly, formatter	1

Main drive assembly

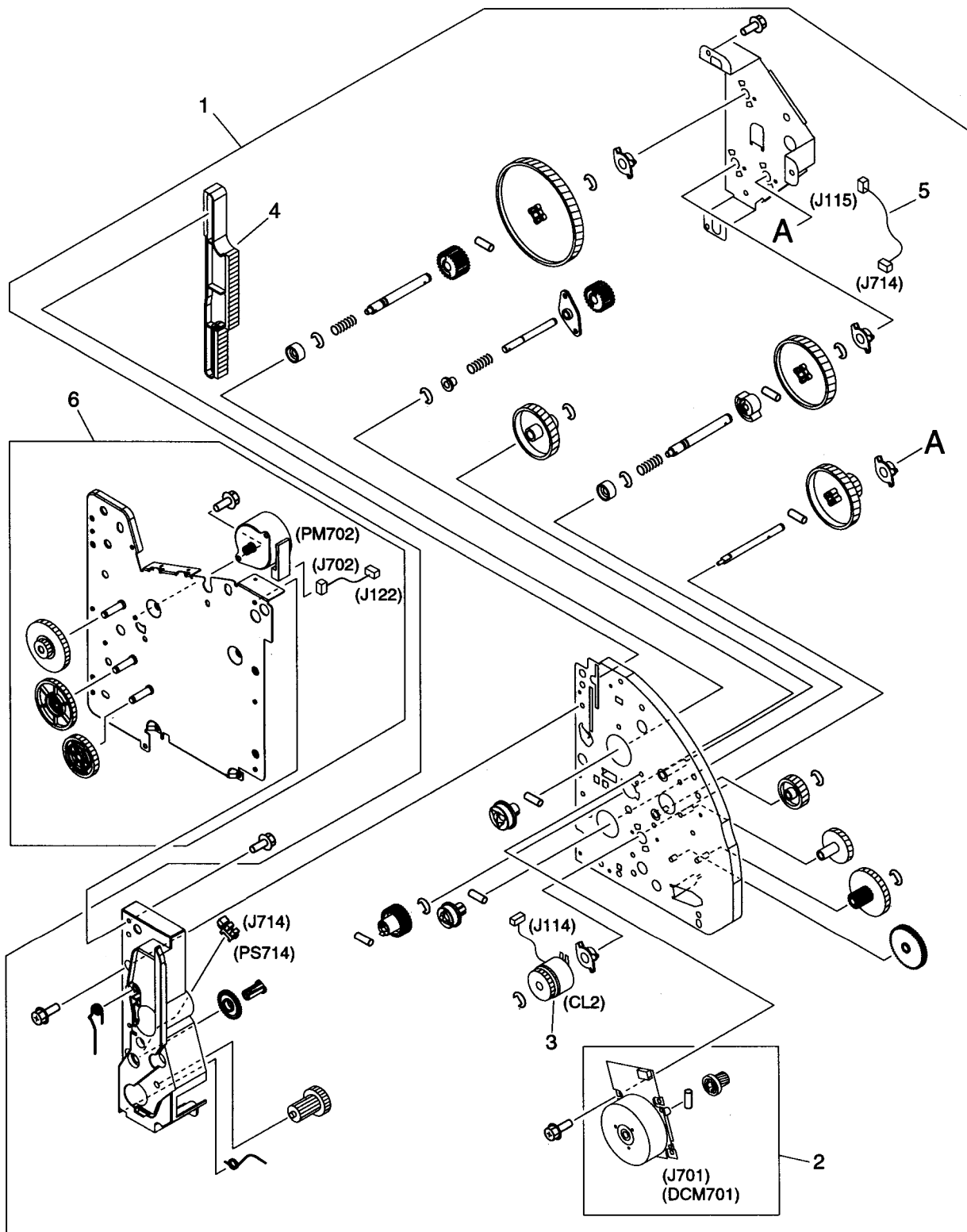


Figure 129. Main drive assembly

Table 35. Main drive assembly

Reference	Part number	Description	Quantity
1	RG5-6932-000CN	Right side plate front assembly	1
2	RF5-4010-000CN	Gear train motor	1
3	RH7-5366-000CN	Clutch, main gear train (CL2)	1
4	RB3-0090-000CN	Rack	1
5	RG5-7115-000CN	Cable	1
6	RG5-6934-000CN	Right side plate rear assembly	1

Rear frame assembly

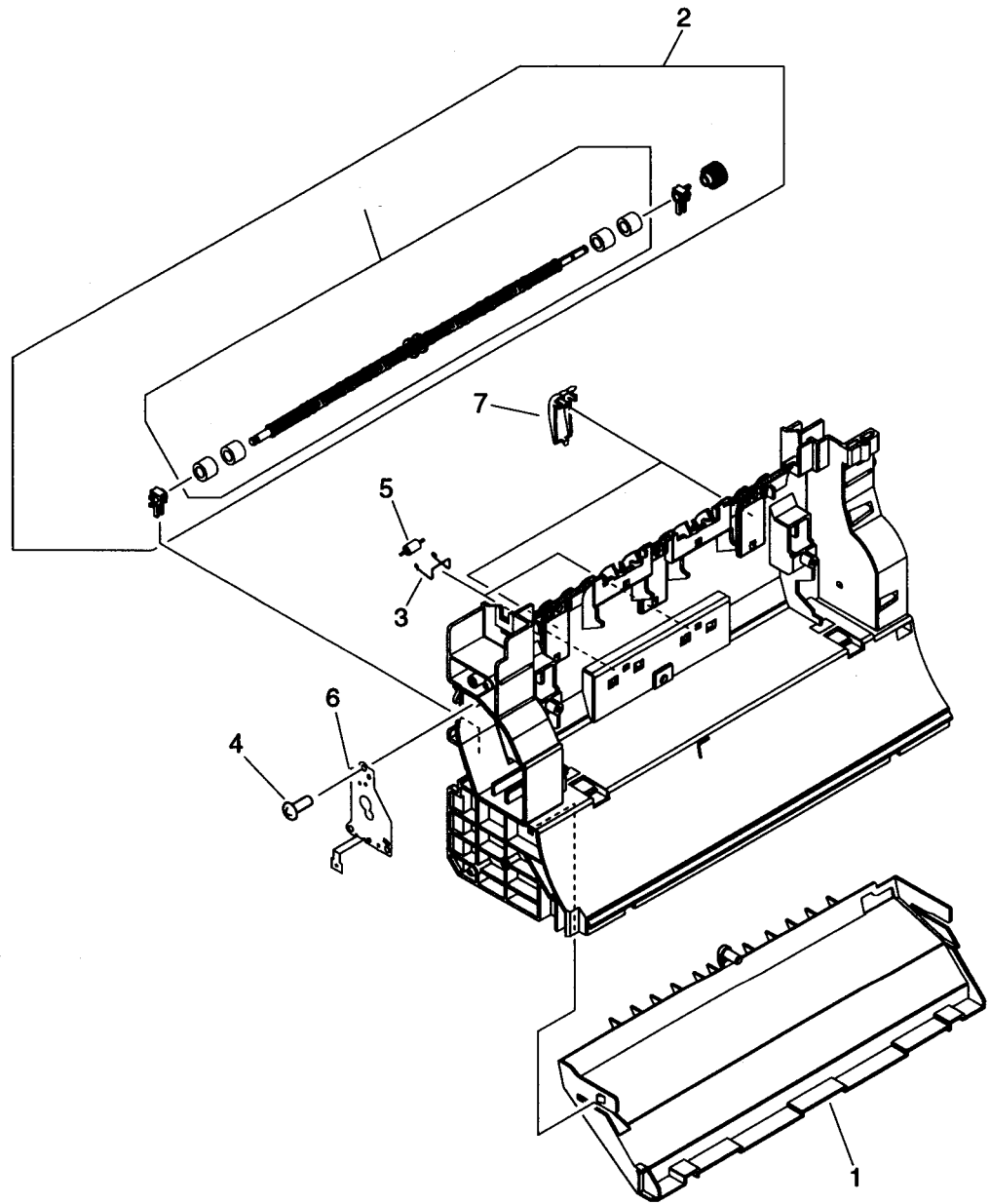


Figure 130. Rear frame assembly

Table 36. Rear frame assembly

Reference	Part number	Description	Quantity
1	RB2-9904-000CN	Fuser duct	1
2	RG5-6936-000CN	Roller, lower, top output bin	1
3	RB2-9906-000CN	Spring, left	2
4	XA9-1262-000CN	Screw, M4x10	2
5	RB2-9909-000CN	Roller, rear output bin	2
6	RB2-9916-000CN	Cover, fuser motor	1
7	RB2-9912-000CN	Guide, top output bin	2

Middle frame assembly

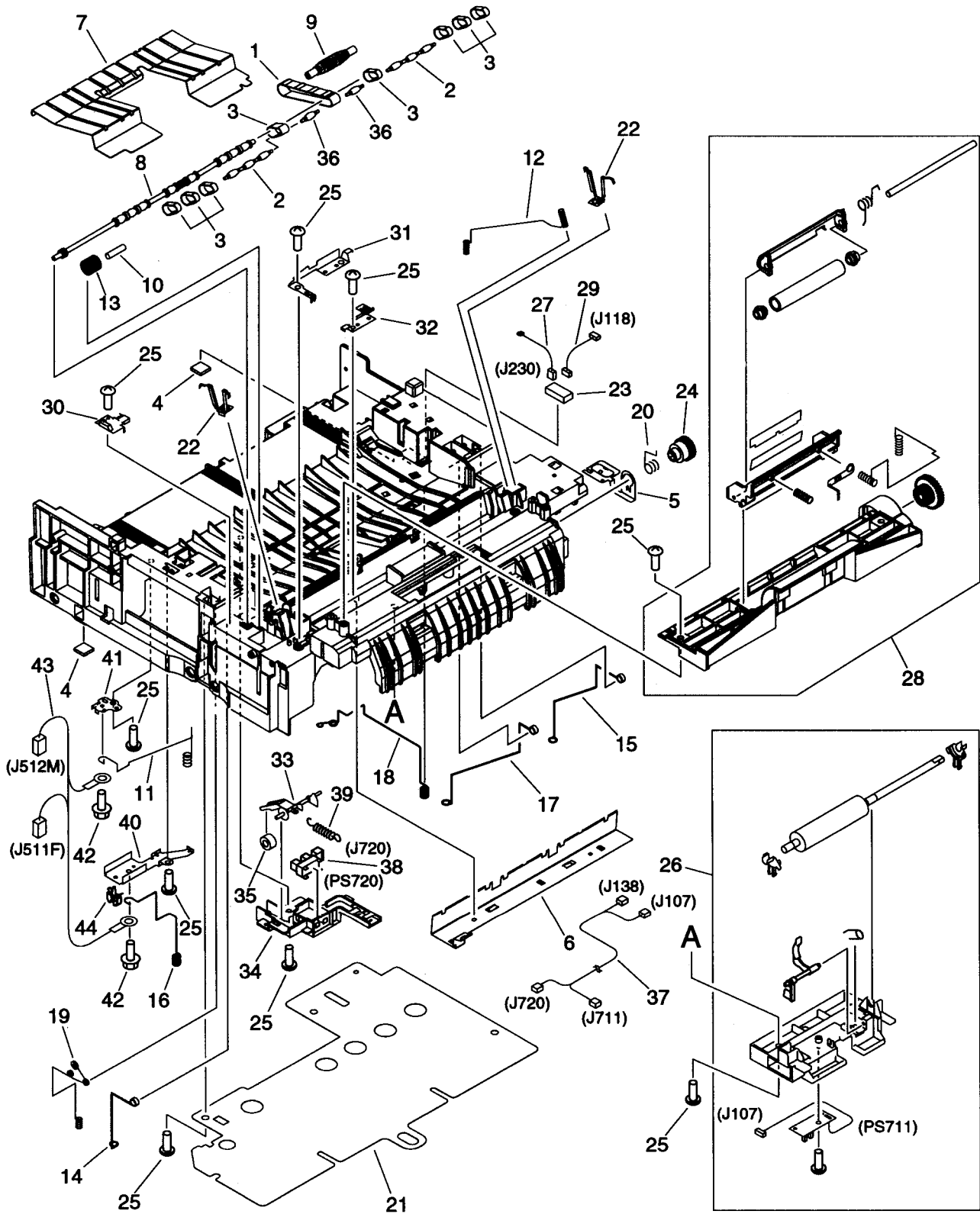


Figure 131. Middle frame assembly

Table 37. Middle frame assembly

Reference	Part number	Description	Quantity
1	RB1-8668-000CN	Timing belt	1
2	RB3-0061-000CN	Pulley	2
3	RB3-0063-000CN	Feed belt	8
4	RB2-6297-000CN	Rubber foot	2
5	RB3-0286-000CN	Grounding plate	1
6	RB3-0009-000CN	Static charge eliminator plate	1
7	RB3-0010-000CN	Feed plate	1
8	RB3-0011-000CN	Shaft, feed drive	1
9	RB3-0012-000CN	Roller, belt	1
10	RB3-0060-000CN	Shaft, idler gear	1
11	RB3-0045-000CN	Spring	1
12	RB3-0016-000CN	Spring	1
13	RB3-0022-000CN	Gear, idler, 23T	1
14	RB3-0042-000CN	Spring	1
15	RB3-0043-000CN	Spring	1
16	RB3-0044-000CN	Spring	1
17	RB3-0046-000CN	Spring	1
18	RB3-0047-000CN	Spring	1
19	RB3-0048-000CN	Spring	1
20	RS5-1637-000CN	Bushing	1
21	RB3-0056-000CN	Insulating sheet	1
22	RB3-0057-000CN	Transfer slide plate	2
23	RH2-5519-000CN	Connector, optional trays	1
24	RS7-0428-000CN	Gear, 30T	1
25	XA9-1262-000CN	Screw, M4x10	6
26	RG5-6939-000CN	Registration roller assembly	1
27	RG5-7123-000CN	Cable, grounding	1
28	RG5-6940-000CN	Registration shutter assembly	1
29	RG5-7122-000CN	Cable, interface	1
30	RB3-0052-000CN	Cover, gear	1
31	RB3-0065-000CN	Grounding spring	1
32	RB3-0066-000CN	Grounding spring	1
33	RB2-9925-000CN	Flag, transfer sensor	1
34	RB2-9924-000CN	Holder, transfer sensor	1
35	RB2-7195-000CN	Roller, transfer sensor	1
36	RB3-0067-000CN	Pulley	2
37	RG5-7128-000CN	Cable	1
38	WG8-5832-000CN	Sensor, transfer (PS720)	1
39	RS6-2766-000CN	Spring	1
40	RB2-9850-000CN	Mount, terminal	1
41	RB2-9851-000CN	Mount, antenna contact	1
42	XA9-0849-000CN	Screw, RS, M3x6	2
43	RG5-7130-000CN	Cable, high-voltage transformer	1
44	WT2-5700-000CN	Clamp, cable	1

Rotary (carousel) assembly

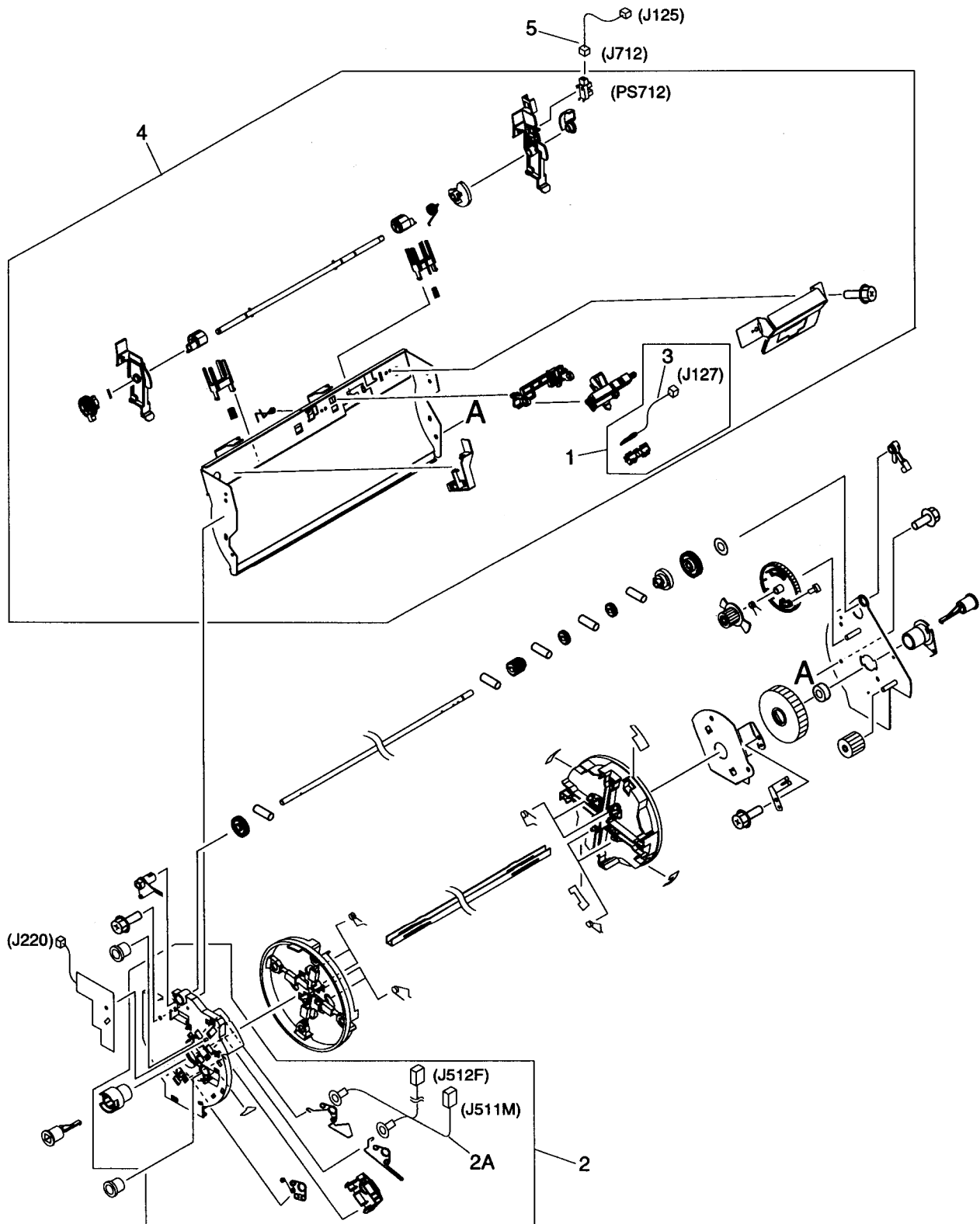


Figure 132. Rotary (carousel) assembly

Table 38. Rotary assembly

Reference	Part number	Description	Quantity
1	RG5-6957-000CN	Contact assembly, E-label reader	1
2	RG5-6942-000CN	Rotary plate assembly, left	1
2A	RG5-7129-000CN	Cable, rotary assembly	1
3	RG5-6974-000CN	Cable, E-label reader	1
4	RG5-6943-000CN	Rotary pressure assembly	1
5	RG5-7117-000CN	Cable, sensor	1

Table 39. Power-supply base assembly

Reference	Part number	Description	Quantity
1	RB3-0006-000CN	Holder, fuser connector	1
2	RB3-0007-000CN	Insulating sheet	1
3	RH2-5520-000CN	Connector, fuser drawer	1
4	RG5-7146-000CN	Cable, H.V.T.	1
5	WT2-5610-000CN	Cable clip	2
6	XA9-1355-000CN	Screw, M3x8	8
7	RG5-7126-000CN	Cable, sub H.V.T.	1
8	RG5-7109-000CN	Cable, fuser connector, dc controller	1
9	RG5-6971-000CN	Cable, fuser, power	1
10	RG5-7106-000CN	Cable, formatter, power	1
11	RG5-7107-000CN	Cable, power (1)	1
12	RG5-7108-000CN	Cable, power (2)	1
13	RB3-0062-000CN	Holder, high voltage	1
14	XA9-1291-000CN	Screw, M3x8	1

Fuser assembly

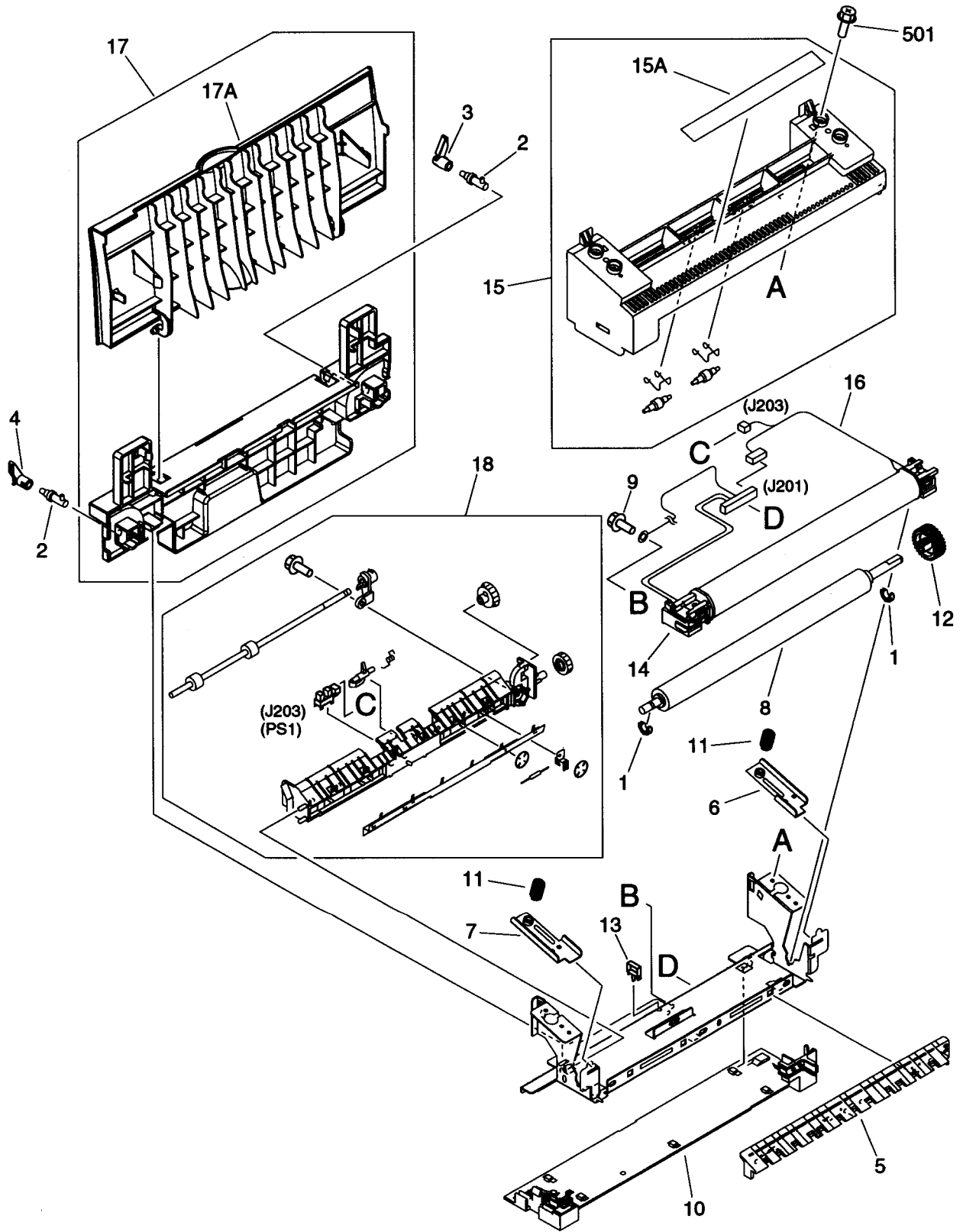


Figure 134. Fuser assembly

Table 40. Fuser assembly

Reference	Part number	Description	Quantity
	RG5-6903-000CN	Fuser, 110-127 V	1
	RG5-6913-000CN	Fuser, 220-240 V	1
1	RB2-2973-000CN	Bushing	2
2	RB2-4933-000CN	Shaft, lever	2
3	RB3-0178-000CN	Lever, right lock release	1
4	RB3-0179-000CN	Lever, left lock release	1
5	RB3-0180-000CN	Guide, inlet	1
6	RB3-0186-000CN	Plate, pressure, right	1
7	RB3-0190-000CN	Plate, pressure, left	1
8	RB3-0191-000CN	Roller, pressure	1
9	XA9-1291-000CN	Screw, RS, M3x8	5
10	RF5-4008-000CN	Base plate, fuser	1
11	RS6-2756-000CN	Spring, compression	2
12	RS7-0432-000CN	Gear, 27T	1
13	WT2-5700-000CN	Clamp, cable	1
14	RG5-6928-000CN	Film assembly, 110-127 V	1
	RG5-6929-000CN	Film assembly, 220-240 V	1
15	RG5-6929-000CN	Separation upper guide assembly	1
15A	RS6-8657-000CN	Label, caution	1
16	RG5-7110-000CN'	Cable, fuser	1
17	RG5-6931-000CN	Rear output bin cover assembly	1
17A	RB3-0176-000CN	Cover, upper rear output bin	1
18	RG5-6930-000CN	Separation lower guide assembly	1
501	XB3-6300-800CN	Screw, RS, M3x8	5

Rotary-drive assembly

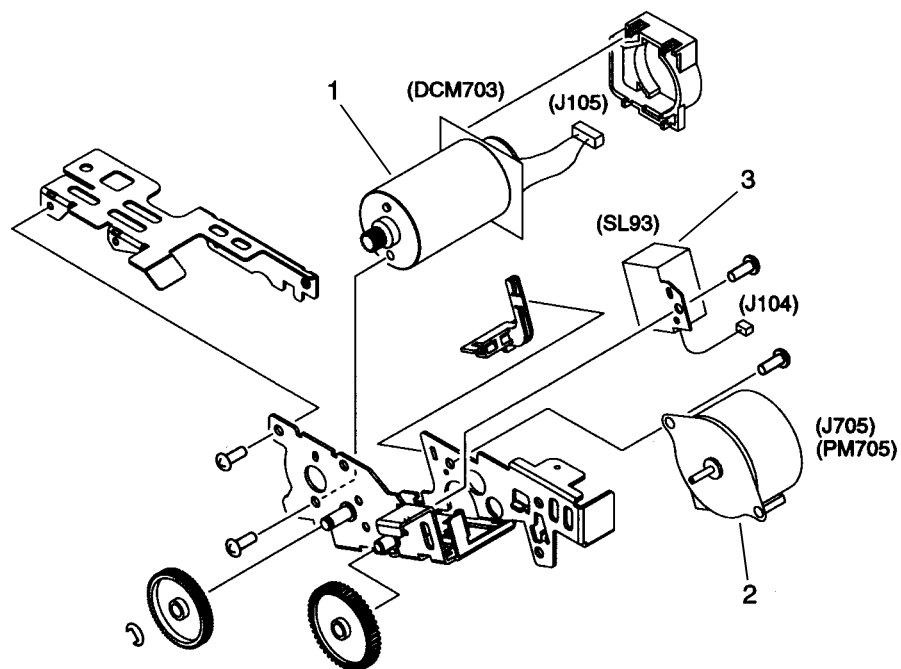


Figure 135. Rotary-drive assembly

Table 41. Rotary-drive assembly

Reference	Part number	Description	Quantity
	RG5-6911-000CN	Rotary drive assembly	1
1	RG5-6958-000CN	Motor (DCM703)	1
2	RH7-1535-000CN	Motor (PM705)	1
3	RH7-5339-000CN	Solenoid (SL93)	1

PCA assemblies

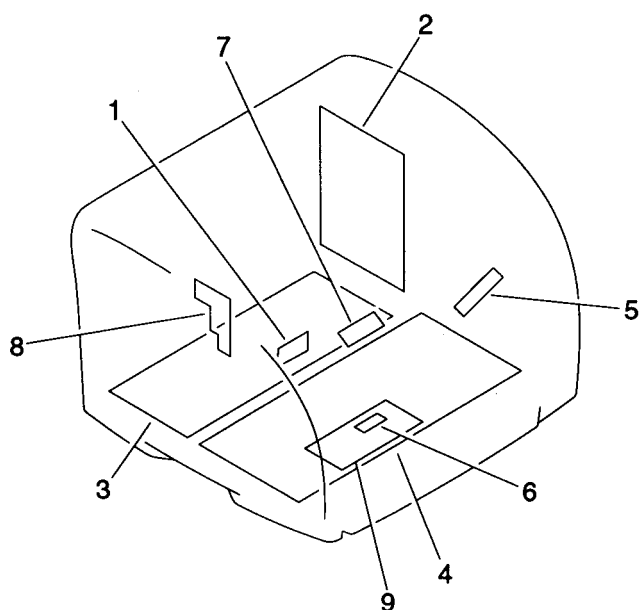


Figure 136.

PCA assemblies

Table 42. PCA assemblies

Reference	Part number	Description	Quantity
1	RG5-6966-000CN	Top-of-page sensor PCA	1
2	RG5-6959-000CN	Dc controller	1
3	RH3-2252-000CN	Low-voltage PCA (110-127 V)	1
3	RH3-2243-000CN	Low-voltage PCA (220-240 V)	1
4	RG5-6960-000CN	H.V.T. PCA	1
5	RG5-6965-000CN	Waste-toner sensor PCA	1
6	RG5-6967-000CN	Registration-sensor PCA	1
7	RH7-7146-000CN	Density-sensor PCA	1
8	RG5-6964-000CN	Toner-sensor PCA	1
9	RG5-7124-000CN	Sub-H.V.T. PCA	1

Optional tray 2

Covers for optional tray 2

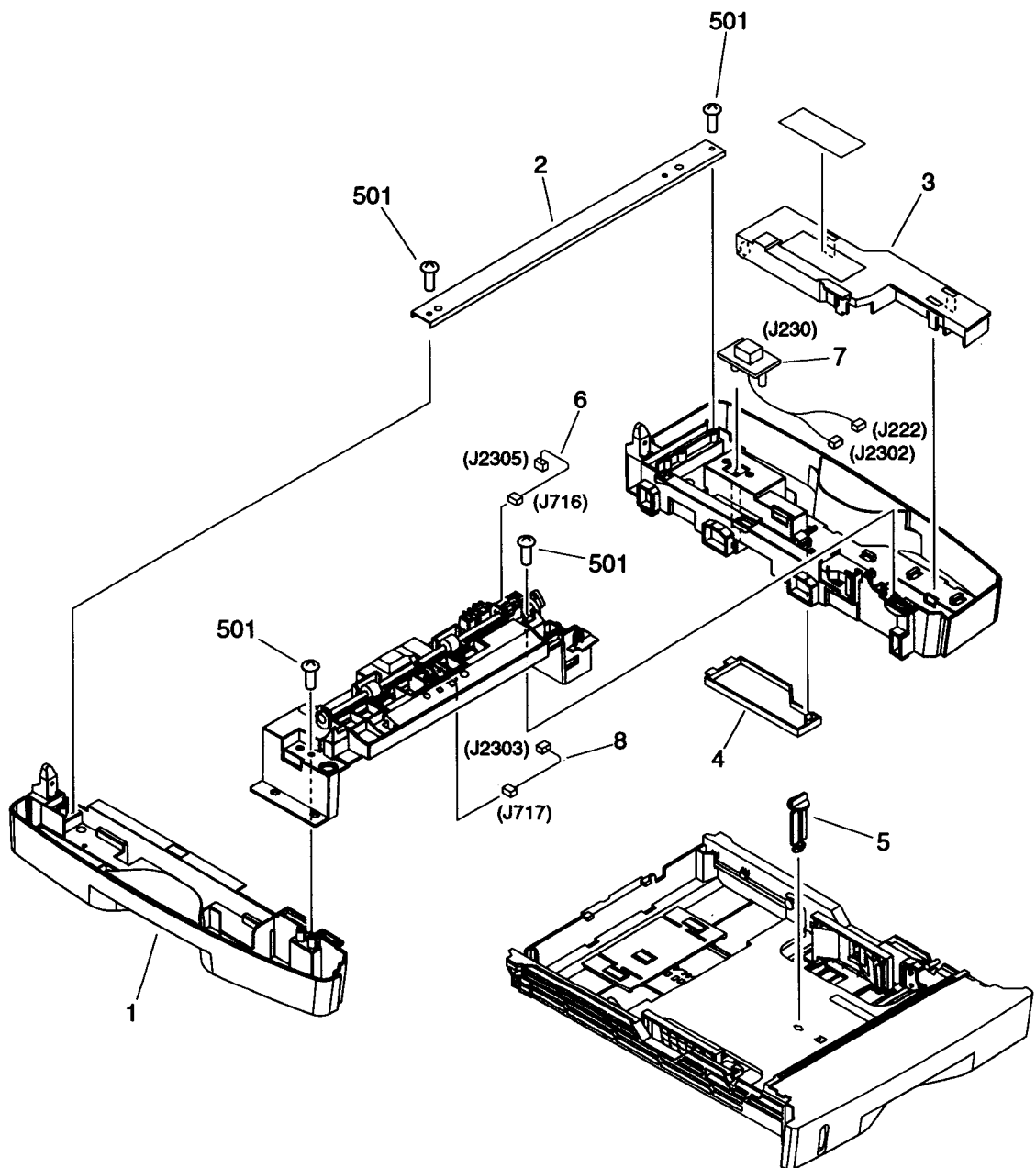


Figure 137. Covers for optional tray 2

Table 43. Covers for optional tray 2

Ref.	Part number	Description	
	C9698A	Optional tray 2	1
1	RB3-0106-000CN	Left cover, tray 2	1
2	RB3-0108-000CN	Crossmember, tray 2	1
3	RB3-0282-000CN	Cover, top, tray 2	1
4	RB3-0283-000CN	Cover, bottom, tray 2	1
5	RB2-3019-000CN	Stopper, lift plate, tray 2	1
6	RG5-7139-000CN	Cable, pickup, tray 2	1
7	RG5-7149-000CN	Cable, drawer, tray 2	1
8	RG5-7138-000CN	Cable, sensor, tray 2	1
501	XB4-7401-007CN	Screw, tapping, pan head, M4x10, tray 2	5

Center frame assembly—optional tray 2

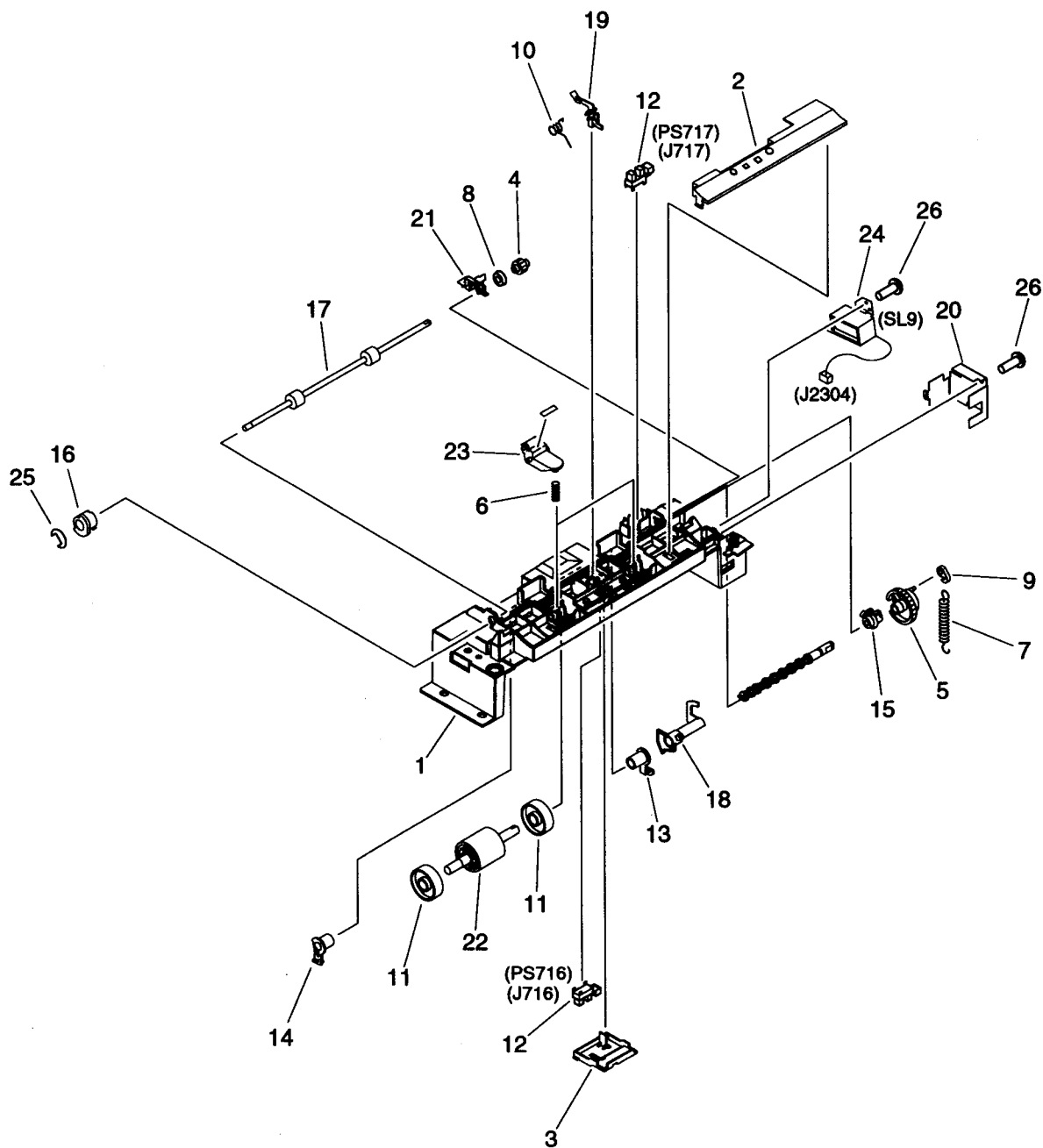


Figure 138. Center frame assembly—optional tray 2

Table 44. Center frame assembly

Ref.	Part number	Description	Quantity
1	RB3-0105-000CN	Cover, center frame, tray 2	1
2	RB3-0165-000CN	Cover, top, center frame, tray 2	1
3	RB3-0166-000CN	Cover, bottom, center frame, tray 2	1
4	RS7-0431-000CN	Gear, 15T, tray 2	1
5	RS7-0430-000CN	Gear, 26T, tray 2	1
6	RS6 2760-000CN	Spring, compression, tray 2	2
7	RS6-2025-000CN	Spring, tension, tray 2	1
8	RS5-1636-000CN	Bushing, tray 2	1
9	RB1-2190-000CN	Collar, spring, tray 2	1
10	RB2-2843-000CN	Spring, torsion, tray 2	1
11	RB2-2892-000CN	Roller, tray 2	2
12	WG8-5382-000CN	Photointerrupter (TLP1242), tray 2	2
13	RB2-2895-000CN	Bushing, right, tray 2	1
14	RB2-2896-000CN	Bushing, left, tray 2	1
15	RB2-2897-000CN	Bushing, tray 2	1
16	RS5-1638-000CN	Bushing, tray 2	1
17	RB3-0129-000CN	Roller, M, tray 2	1
18	RB3-0130-000CN	Flag, set sensor, tray 2	1
19	RB3-0132-000CN	Flag, pickup sensor, tray 2	1
20	RB3-0136-000CN	Cover (gauss-proof), tray 2	1
21	RB3-0137-000CN	Grounding plate, roller, tray 2	1
22	RB3-0161-000CN	Roller, pickup, tray 2	1
23	RF5-4035-000CN	Arm, roller pressure, tray 2	2
24	RH7-5341-000CN	Solenoid (SL9), tray 2	1
25	XD9-0136-000CN	E-ring, tray 2	1
26	XA9-1263-000CN	Screw, TP, M3x5, tray 2	2

Media tray—optional tray 2

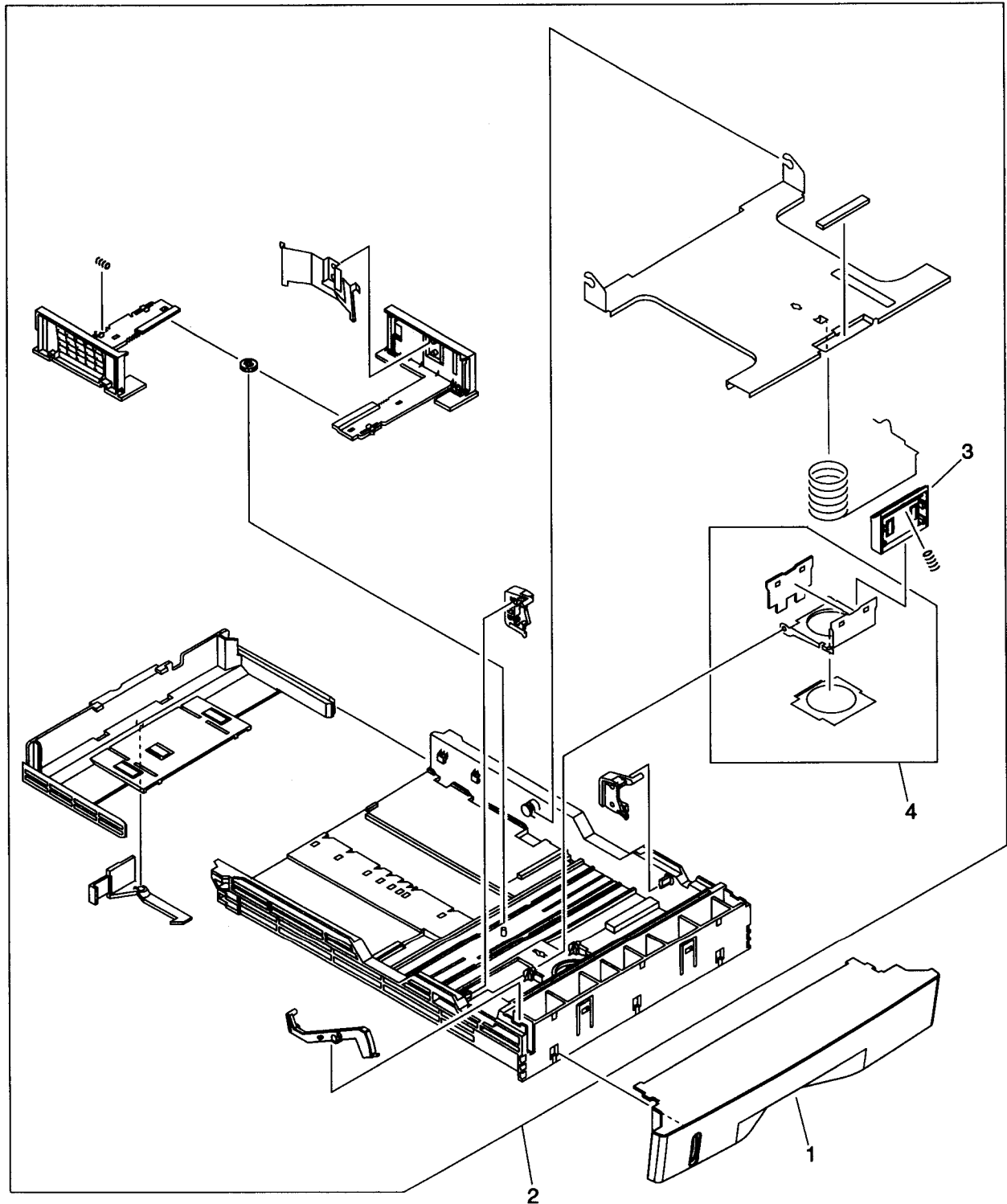


Figure 139. Media tray—optional tray 2

Table 45. Media tray—optional tray 2

Ref.	Part number	Description	Quantity
	RG5-6914-000CN	Media tray—optional tray 2	1
1	RB3-0109-000CN	Cover, media tray, tray 2	1
2	RG5-6915-000CN	Main body assembly, tray 2	1
3	RB2-9960-000CN	Separation pad, tray 2	1
4	RF5-4045-000CN	Separation pad assembly, tray 2	1

Right cover assembly—optional tray 2

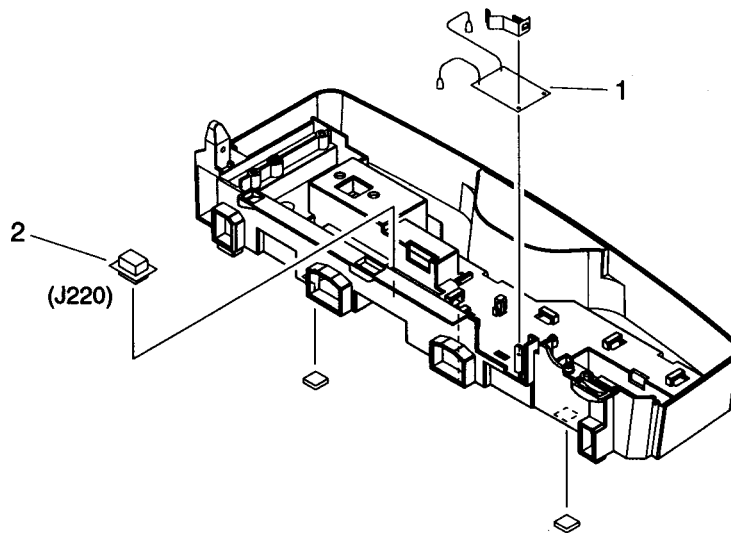


Figure 140. Right cover assembly—optional tray 2

Table 46. Right cover assembly—optional tray 2

Ref.	Part number	Description	Quantity
	RG5-6919-000CN	Right cover assembly, tray 2	1
1	RG5-6968-000CN	Feed-drive PCA, tray 2	1
2	RH2-5519-000CN	Connector, tray 2	1

Optional tray 3

Covers for optional tray 3

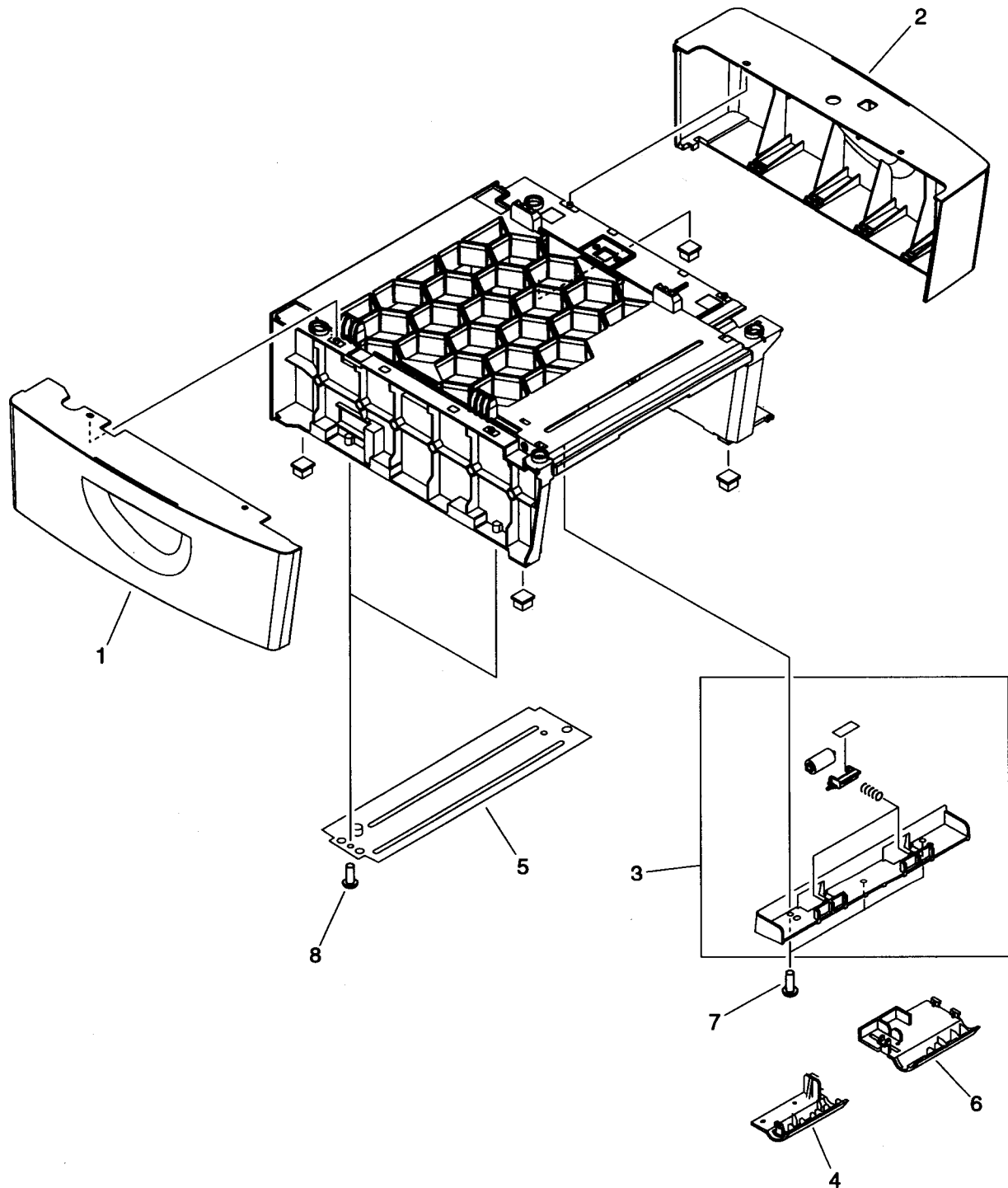


Figure 141. Covers for optional tray 3

Table 47. Covers for optional tray 3

Ref.	Part number	Description	
	C9699A	Optional tray 3	1
1	RB3-0140-000CN	Cover, left, tray 3	1
2	RB3-0141-000CN	Cover, right, tray 3	1
3	RG5-6898-000CN	Feed roller assembly, tray 3	1
4	RB2-3489-000CN	Cover, lower left, tray 3	1
5	RB2-6452-000CN	Crossmember, tray 3	2
6	RB2-6453-000CN	Cover, sensor, tray 3	1
7	XA9-0606-000CN	Screw, M4x10, tray 3	3
8	XA9-1316-000CN	Screw, TP, M4x10, tray 3	4

Internal components—optional tray 3

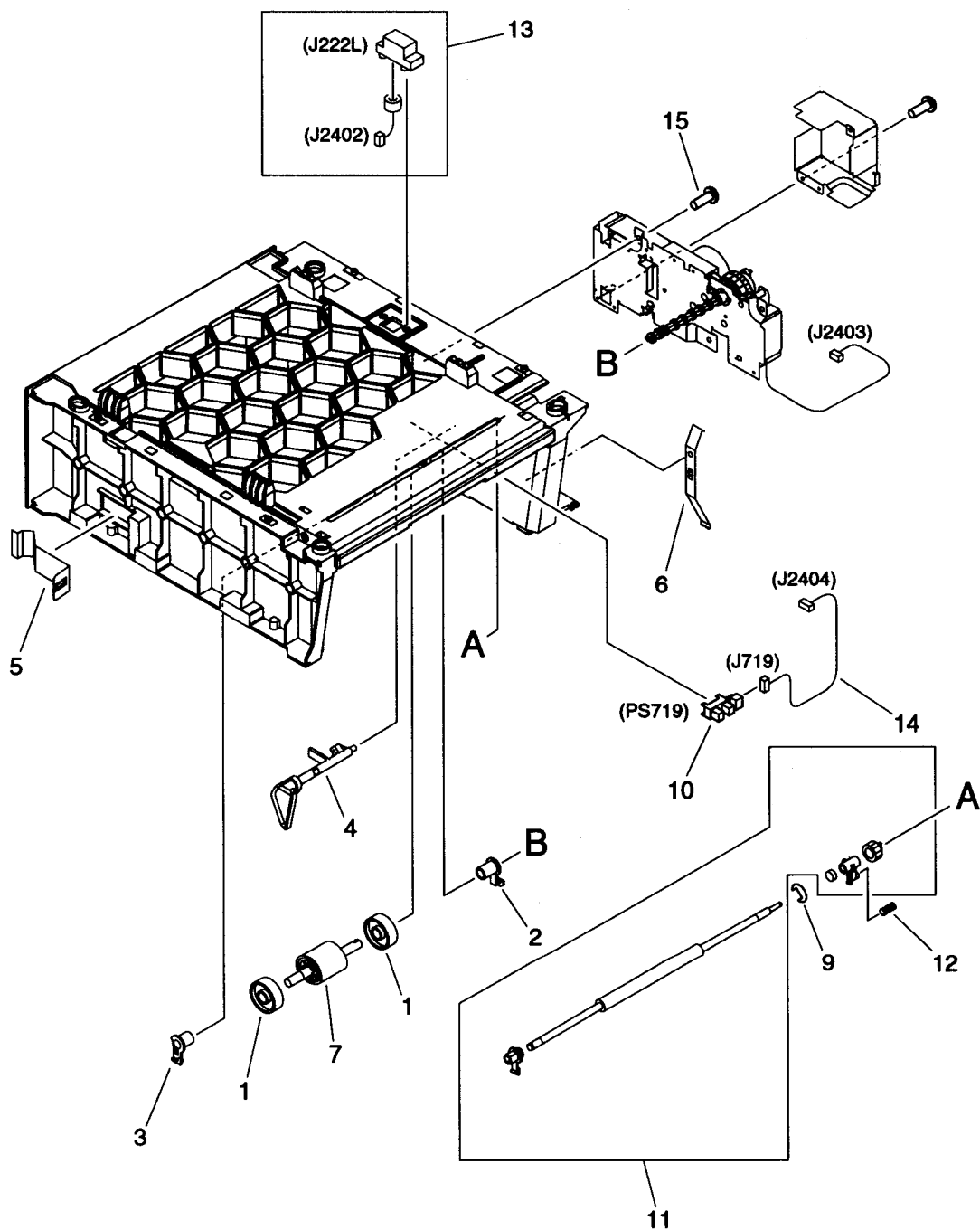


Figure 142. Internal components—optional tray 3

Table 48. Internal components—optional tray 3

Ref.	Part number	Description	
1	RB2-2892-000CN	Roller, tray 3	2
2	RB2-2895-000CN	Bushing, right, tray 3	1
3	RB2-2896-000CN	Bushing, left, tray 3	1
4	RB2-6448-000CN	Arm, sensor, tray 3	1
5	RB2-6450-000CN	Spring, leaf, tray 3	1
6	RB2-6451-000CN	Spring, leaf, tray 3	1
7	RB3-0161-000CN	Roller, pickup, tray 3	1
9	XD9-0136-000CN	E-ring, tray 3	1
10	WG8-5382-000CN	Photointerrupter (TLP1242), tray 3	1
11	WG8-5621-000CN	Feed roller assembly, tray 3	1
12	RS6-2398-000CN	Spring, compression, tray 3	1
13	RG5-7150-000CN	Cable, drawer, tray 3	1
14	RG5-7142-000CN	Cable, sensor, tray 3	1
15	XA9-0606-000CN	Screw, M4x10, tray 3	3

Feed drive assembly—optional tray 3

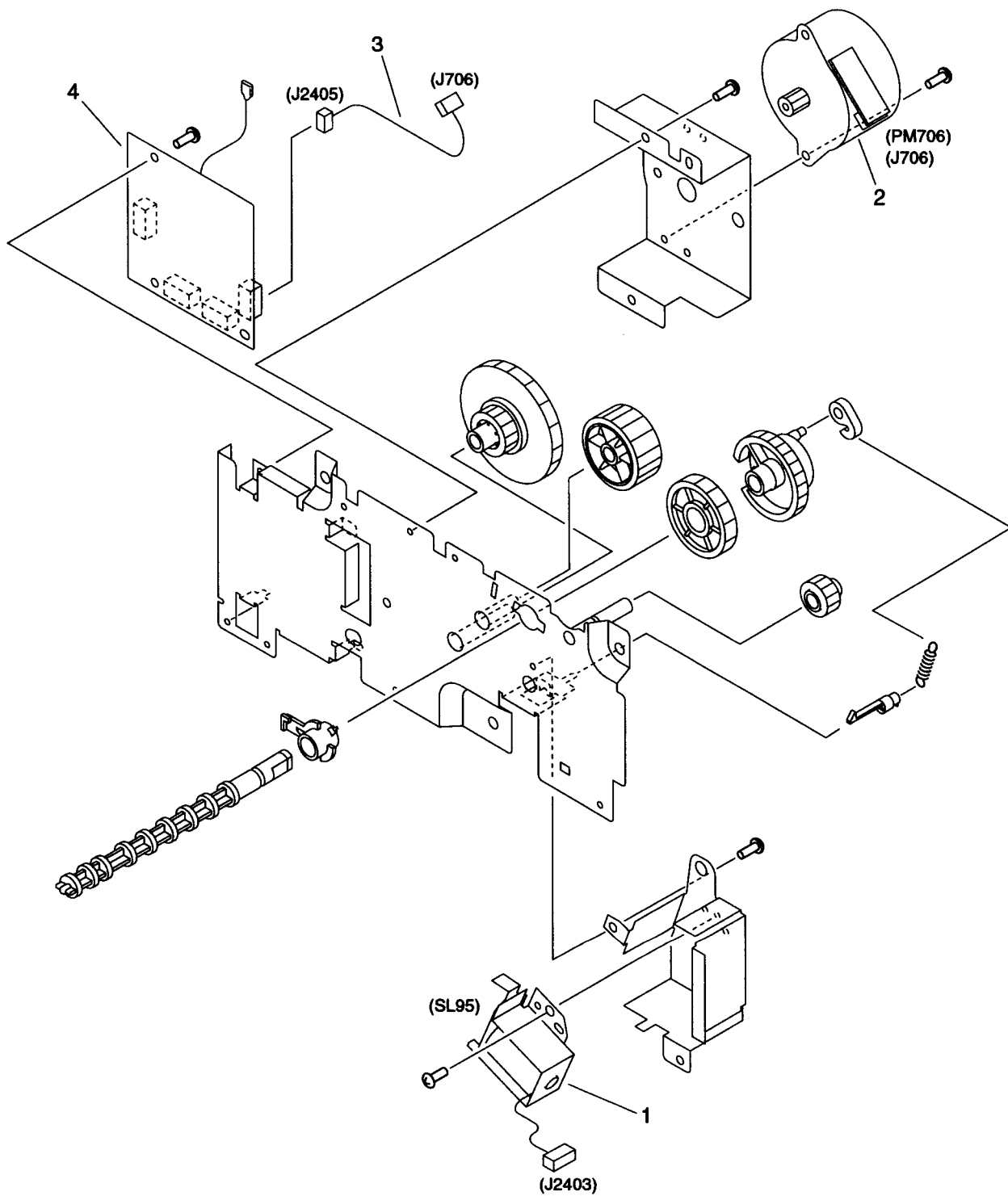


Figure 143. Feed drive assembly—optional tray 3

Table 49. Feed drive assembly—optional tray 3

Ref.	Part number	Description	
	RG5-6925-000CN	Feed drive assembly, tray 3	1
1	RH7-5341-000CN	Solenoid (SL95), tray 3	1
2	RH7-1536-000CN	Motor (M706), tray 3	1
3	RG5-7143-000CN	Cable, motor, tray 3	1
4	RG5-6969-000CN	Feed-drive PCA assembly, tray 3	1

Media tray—optional tray 3

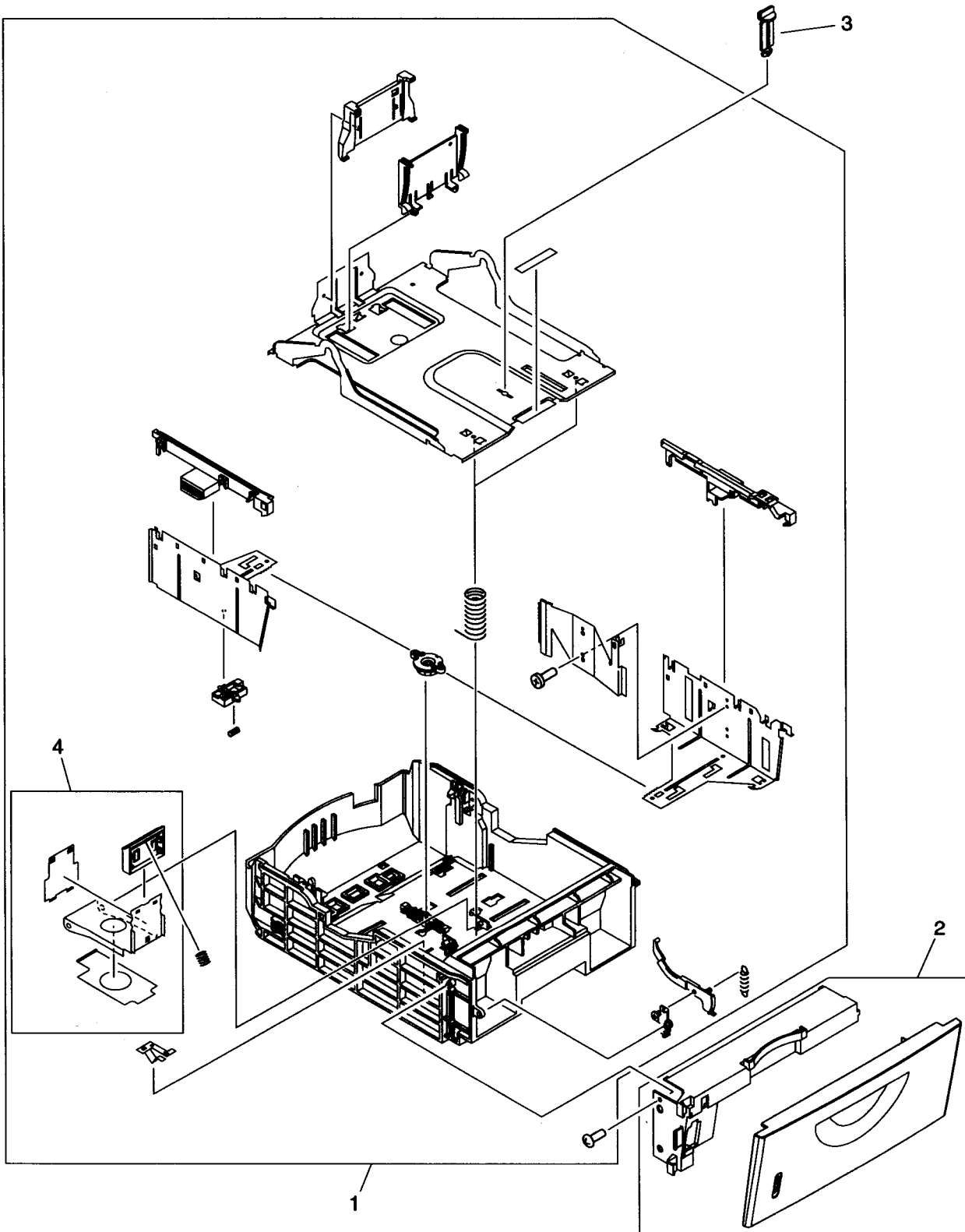


Figure 144. Media tray—optional tray 3

Table 50. Media tray—optional tray 3

Ref.	Part number	Description	
	RG5-6920-000CN	Media tray, tray 3	1
1	RG5-6921-000CN	Main frame assembly, tray 3	1
2	RG5-6922-000CN	Front cover assembly, tray 3	1
3	RB2-6472-000CN	Pin, lift stopper, tray 3	1
4	RG5-6899-000CN	Separation pad assembly, tray 3	1